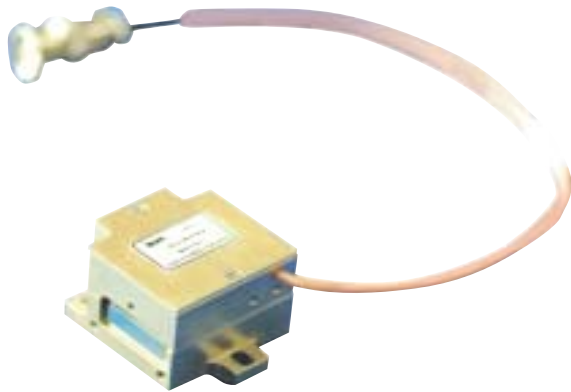
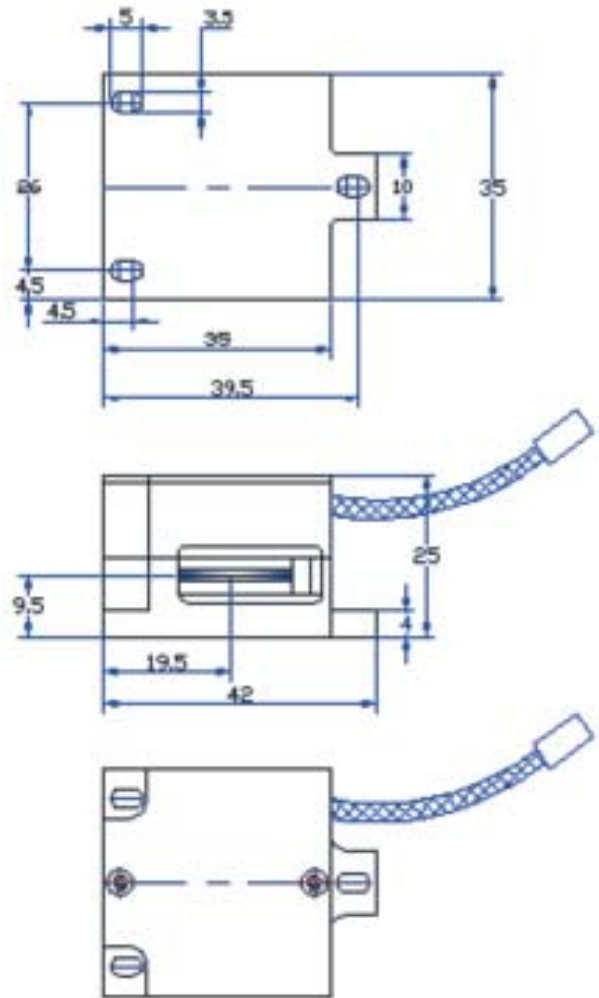


Acousto-optic Q-switch QSG41-3



Mechanical Dimensions



Description

QSG41-3 acousto-optic Q-switch is a conduction-cooled acousto-optic Q-switch which is designed for the 10~20W DPL laser, and is widely applied in various s of laser equipment like laser distance measuring equipment, laser radar, laser marking machine and fine processing machine.

Characteristics

This product has such characteristics as small volume, high switch-off power, quick modulation rate, convenient use and stable and reliable work, and also has the first pulse suppression function and Automatic protection function of overheating.

Specification

Interaction Material	Quartz crystal
Wavelength	1.064 μ m
Frequency	40.68MHz
Loss Modulation	80% (\perp) @10W
RF Power Rating	\leq 12W
Active Aperture	1.5mm
Input impedance	50 Ω
VSWR	\leq 1.2

This product is provided with the auxiliary driver and can be customized according to user requirements.