

Acousto-optic deflector PSGDN-1

Description

Acousto-optic deflector of PSGDN-1, using the small-size tellurium dioxide single crystal as acousto-optic medium, can be applied in such systems as laser demonstration, laser recording, acousto-optic frequency spectrum analyzer, high-speed laser recorder, acousto-optic correlator, and high density information memory.

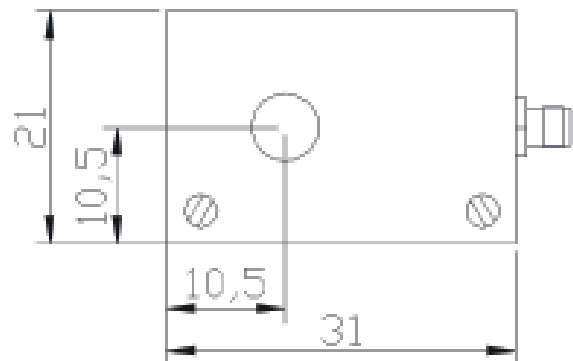
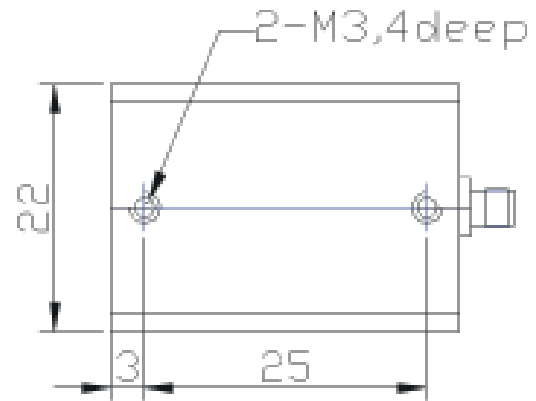
Characteristics

This product has such characteristics as big bandwidth, high efficiency, small volume and convenient use.

Specification

Interaction Material	Tellurium oxide
Wavelength	633nm (visible light)
Center frequency	75 ± 2 MHz
Diffraction Efficiency	$\geq 70\%$ (linear polarization)
3dB bandwidth	≥ 40 MHz
Transmission (single pass)	$\geq 90\%$
Dynamic deflection angle	2.2° @633nm

Mechanical Dimensions



This product is provided with the auxiliary driver, and can be customized according to user requirements.

