

Fiber-coupled Acousto-optic Q-switch F-QSG100-1

Description

This product is a fiber-coupled conduction-cooled acousto-optic Q switching device, which is mainly applied for Q switching of the fiber laser.

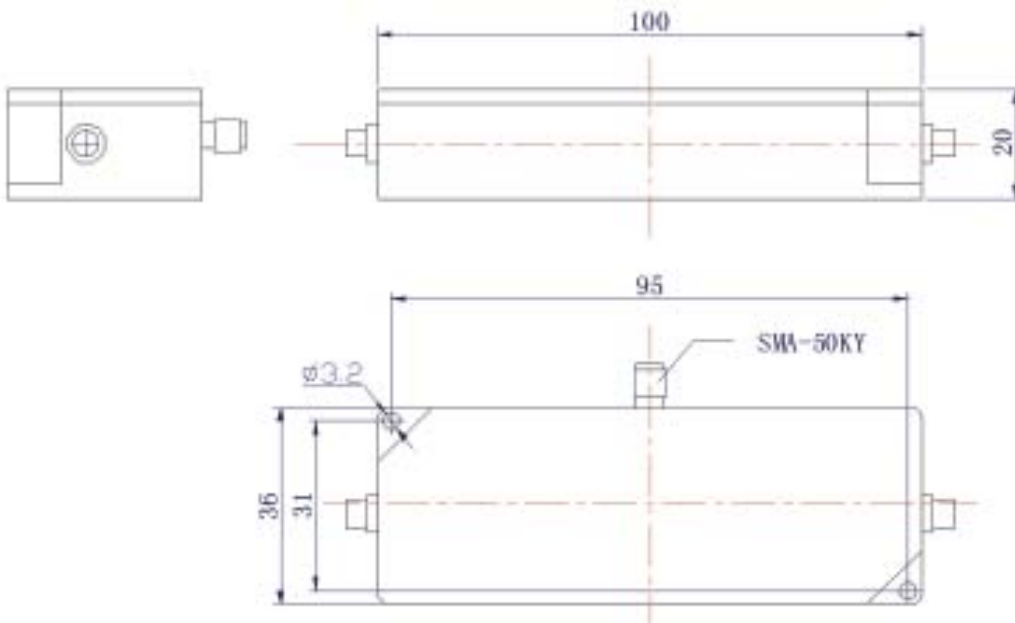
Characteristics

This product has such characteristics as low insertion loss, low power loss ($\leq 5W$), total solidification, no water cooling type and convenient use.

Specification

Wavelength	1064nm
Frequency	100MHz
Dynamic insertion loss	$\leq 3dB$
Internal modulation frequency	1KHz~80KHz, continuously adjustable
Rise time of electric pulse	50~150ns, adjustable
RF Power Rating	1~5W
RF Connector	SMA
Fiber Connector	FC/APC
Polarization	Random
Fiber type	HI1060
Fiber splicer	FC/APC

Mechanical Dimensions



This product is provided with the auxiliary driver, and can be customized according to user requirements.

