

RF driver of acousto-optic Q-switch QSG41-3/Q



Description

This product is the RF driver which is designed for the acousto-optic Q-switch of QSG41-3. It adopts the DC input mode, so as to conveniently realize the modulation of radio frequency signal by inputting the control signal.

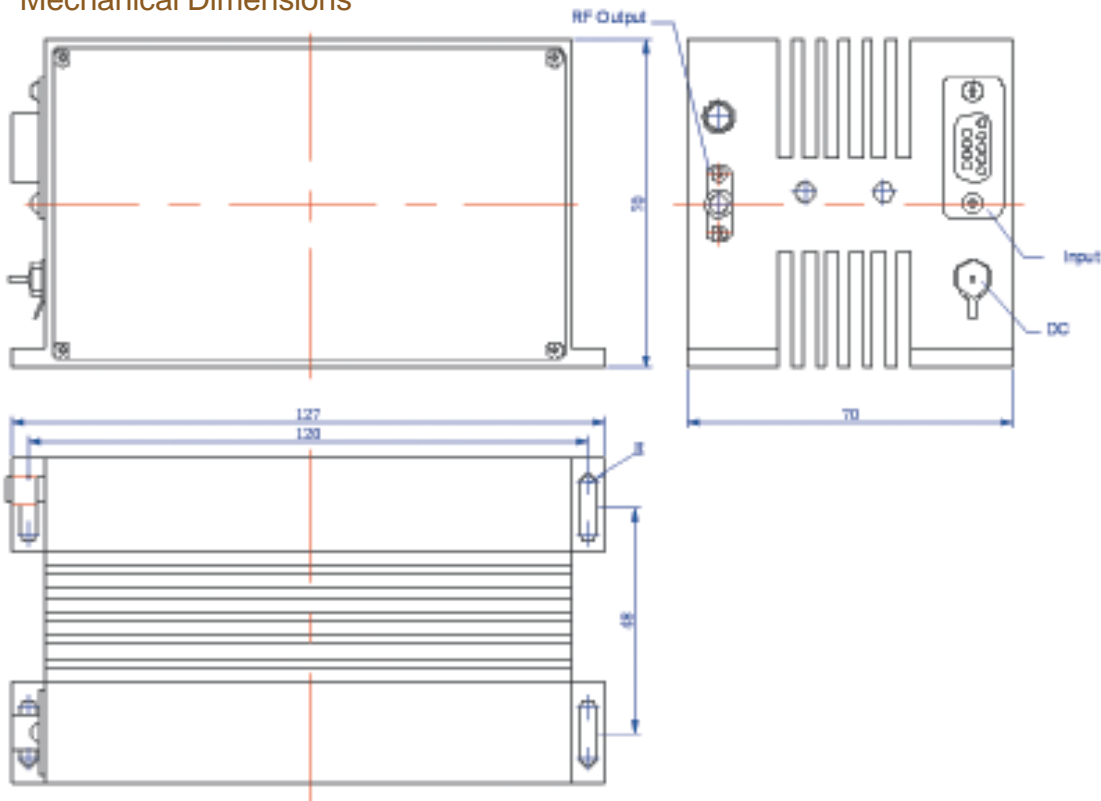
Characteristics

This product has such characteristics as small volume, high working efficiency, quick fall time of pulse and high harmonic suppression ratio.

Specification

Working frequency	40.68MHz \pm 0.1MHz
Output power	12W
Modulation repetition rate	1kHz~300kHz (adjustable)
Output impedance	50 Ω
Voltage Standing Wave Ratio	\leq 1.2(connected to 50 Ω load)
Power supply (DC)	24 \times (1 \pm 5%)V/DC
Modulation Control Inputs	Digital TTL
Effective level of laser output	High/low

Mechanical Dimensions



This product can be customized according to user requirements.